

# AMALIE

Better than it has to be®  
Since 1903

## RAC PAC LUBE SYSTEM

### The Answer to Making Smarter Lube Changes!

#### ADVANTAGES:

- » More convenient - less waste than using bottles
- » Time saved on oil/fluid changes keeps the momentum up
- » Improves inventory control
- » Integrated funnel with each pitcher for quick - no mess - easy pour
- » Less trash making it more environmentally friendly
- » Space saving rack allows multiple products in one spot, enabling a wide array of vehicles to be serviced more efficiently



Contact your sales associate today for more information on the  
**SMARTER Lube System!**

MADE IN U.S.A.

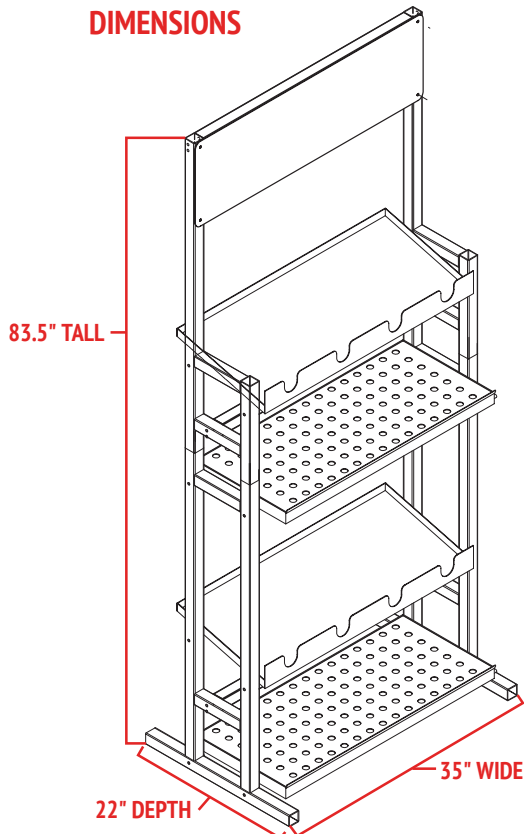


Better than it has to be®  
Since 1903

**RAC PAC**  
LUBE-SYSTEM™

DESCRIPTION	PART #
AMALIE Elixir Full Synthetic EURO MID SAPS 0W-20, SP, SN PLUS/ACEA C5, VW 508/509	160-61650-21
AMALIE Elixir Full Synthetic 0W-16, SP, GF-6B	160-65730-21
AMALIE Elixir Full Synthetic 0W-20 dexos1™ Gen 3 SP, GF-6A	160-65750-21
AMALIE Elixir Full Synthetic 5W-20 SP, GF-6A	160-75740-21
AMALIE Elixir Full Synthetic 5W-30 dexos1™ Gen 3 SP, GF-6A	160-75760-21
AMALIE Elixir Full Synthetic EURO MID SAPS 5W-40, SP, ACEA C3	160-65790-21
AMALIE High Mileage Semi-Synthetic 5W-30, SP, GF-6A	160-79460-21
AMALIE Imperial Turbo Semi-Synthetic 5W-20, SP, GF-6A	160-71040-21
AMALIE Imperial Turbo Semi-Synthetic 5W-30, SP, GF-6A	160-71060-21
AMALIE Imperial Turbo 10W-30, SP, GF-6A	160-71070-21
AMALIE Super XLO Ultimate Full Synthetic Fortified with Molybdenum 5W-40, CK-4/SN	160-60190-21
AMALIE XLO Ultimate Synthetic Blend Fortified with Molybdenum 15W-40, CK-4/SN	160-79100-21
AMALIE DX III-H/M Automatic Transmission Fluid	160-72830-21
AMALIE Universal Synthetic Automatic Transmission Fluid	160-72860-21
AMALIE RAC PAC 8 Position Rack	99935099
(8)-6 Quart Dispensers	99935199

**DIMENSIONS**



**ATTRACTIVE PACKAGE DESIGN**



More Product in Less Space makes it More Convenient allowing for Quicker Service...  
Contact your sales associate today for more information on the SMARTER Lube System!